

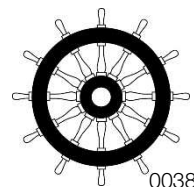
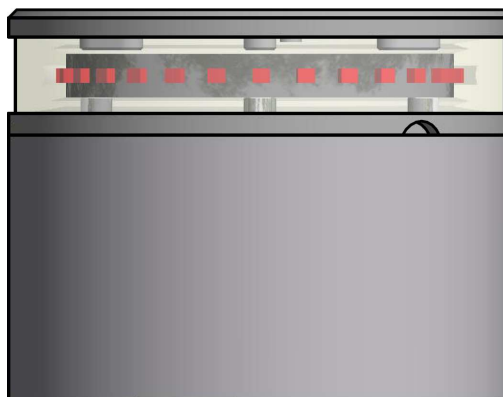
300-114 – 3NM 360° RED LIGHT

The LED light consists of a single array of LEDs that produces light in the specified angle.

The precision machined 6082 aluminium housing with a hard coated anodized surface makes the light a rugged and durable housing for the LEDs and electronics contained within, and the polished PMMA lens delivers a clear light with colour ranging that is well within the standard for maritime use.

Lastly all the interior is completely filled with a special potting resin making it water- and vibration proof before each light is subjected to final testing for no less than 16 hours of continuous operation bringing the total test period beyond 24 hours.

Lopolight products are covered by a 5-year limited warranty. This warranty covers direct exchange of the malfunctioning product and is given under the assumption that the lights have been operated within the specifications of lights.



Technical specifications

Vessel size: >50m (>164')

Visibility: >3NM

Intensity: >15cd

Mounting: **Horizontal**

Operating voltage: 10 - 32 V DC

Number of LEDs: 28

Light colour: **Red**

Operating temperature: -25°C to +55°C

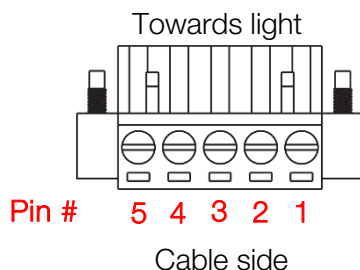
IP rating: **IP68**

Power consumption; 3,3 Watt; Current @ 12 VDC: 0,27A - Current @ 24 VDC: 0,14A

Connection: 2 M20x1.5 thread borings for cable glands located on the side and bottom (see drawing for details).

Cabling: 1 cable consisting of 2 x 0,5 mm² leads, a screen and insulation.

- Pin 1 - Red lead = Power
- Pin 2 - Black lead = GND
- Pin 3 - No lead = Not used
- Pin 4 - No lead = Not used
- Pin 5 - No lead = Not used



Certification: The product is certified by Lloyds (LR) and certificates can be found on www.lopolight.com under certificates.

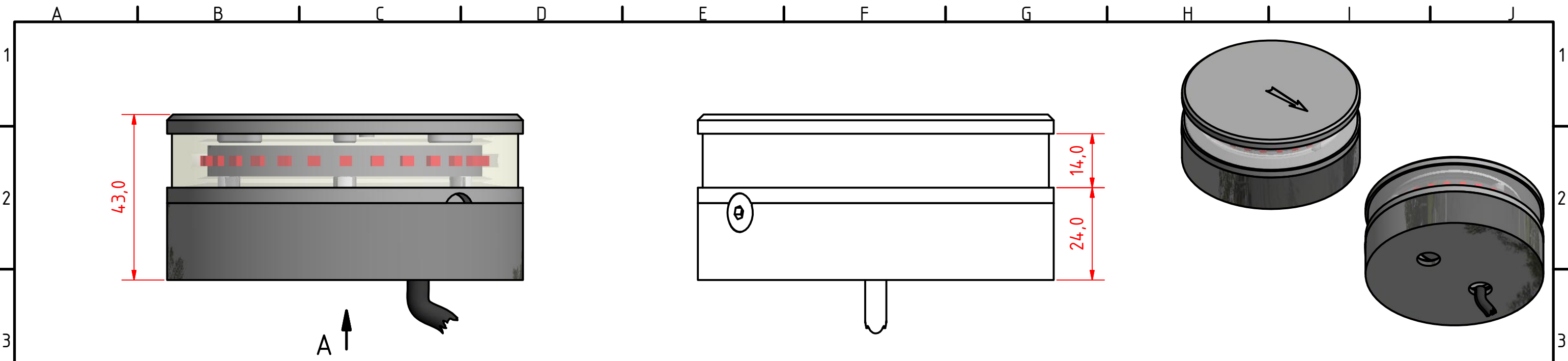
Approvals: COLREG72 / EN14744 / IEC 60945 / USCG / UL1104

Dimensions: **See drawing**

Weight: **0,6kg**

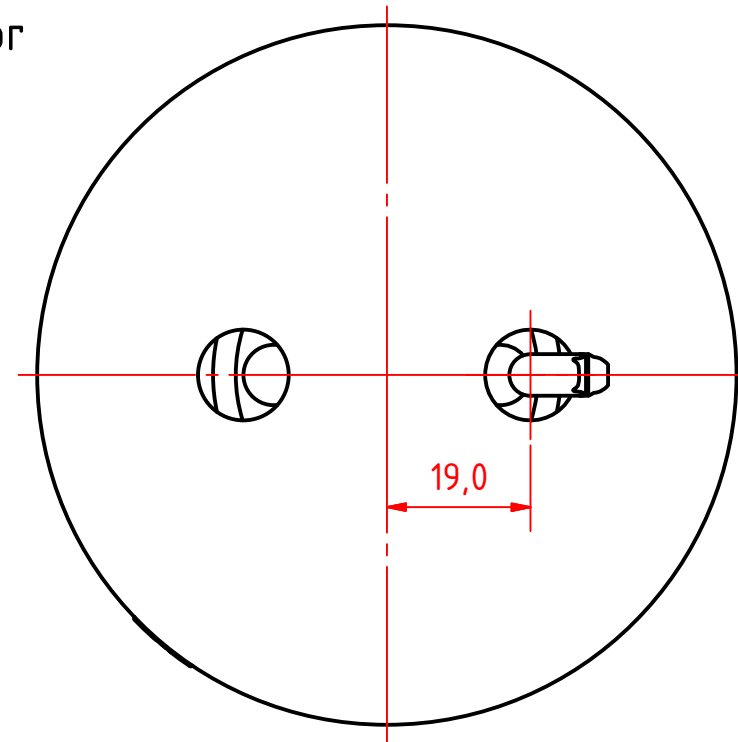
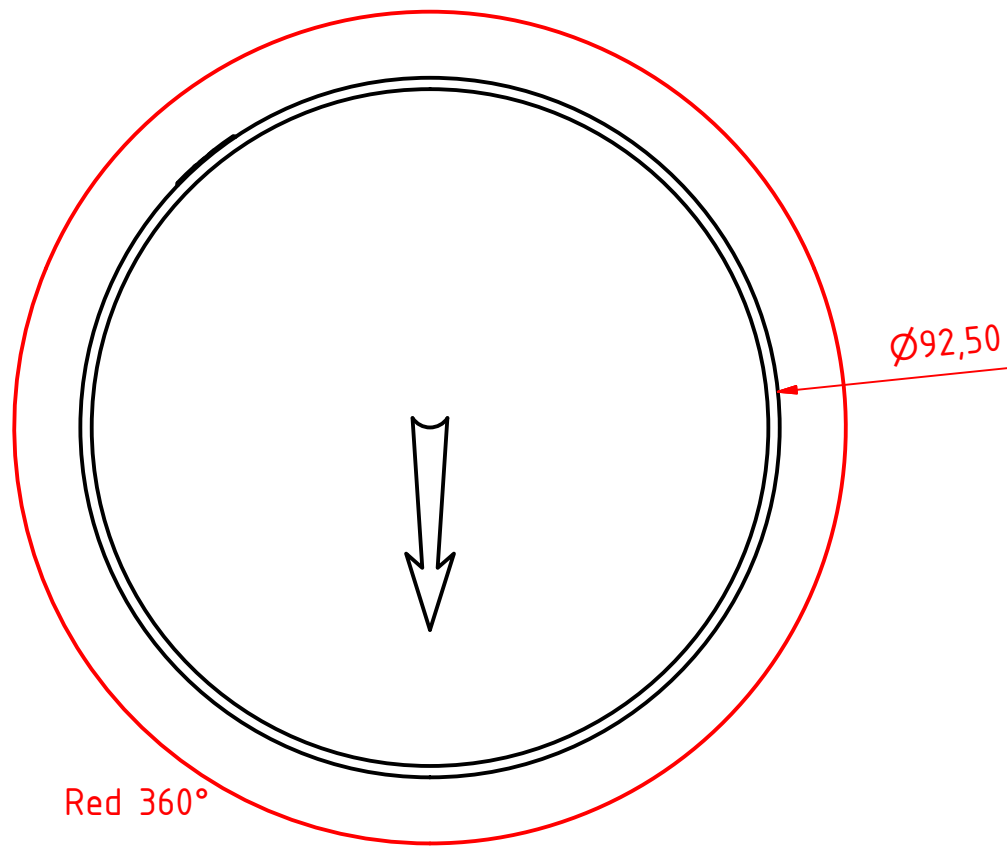
Included in the standard package:

- 1 Navigation light on 400-034 aluminium base
- 1 HDPE base plate
- 3 M6x14 screw
- 1 M20x1.5 cable gland (cable diameters 7 – 13mm)
- 3 M20x1.5 blinding cap or
- 1 Connector plug, 5 PIN
- Installation instructions



Note:

The PE Plastic base is intended for fitting on site and can be either drilled for mounting screws from above or drilled and tapped from below. 6mm machine screws with nuts and washers are recommended for secure mounting.



300-114 Single, 360° Red light for vessels above 50 m, PE Base, Cable Down.

DRAWING NO.: 300-114AG	REV. NO.: 0	SIZE: A3	DRAWN BY: Sergio
SCALE: 1:1	TOLERANCES: DS/ISO 2768-f	REVIEWED BY:	CREATION DATE: 25-01-2017

MATERIAL DESCRIPTION:
Alu EN 6082, Acrylic, PE (20µ) Silver anodized according to EN ISO 7599 (50µ) Black anodized according to MIL-A 8625F

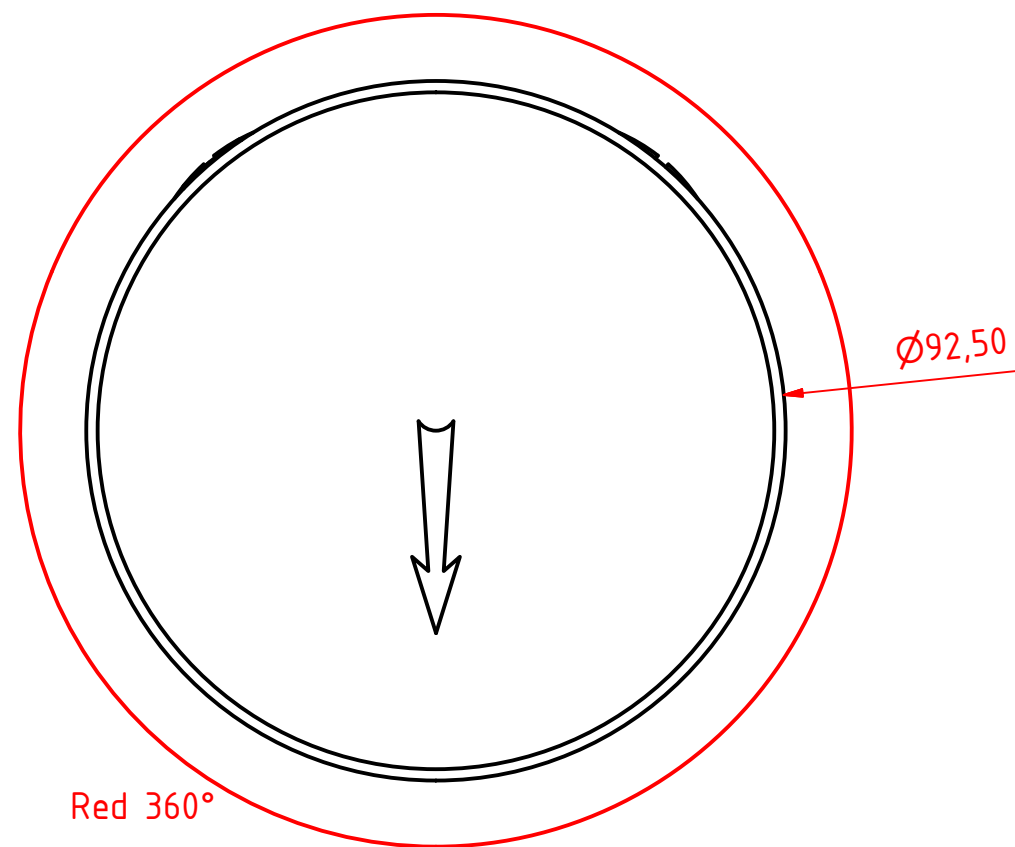
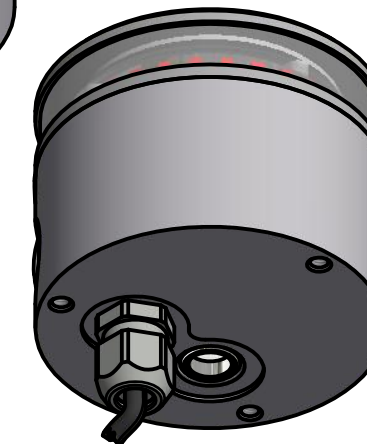
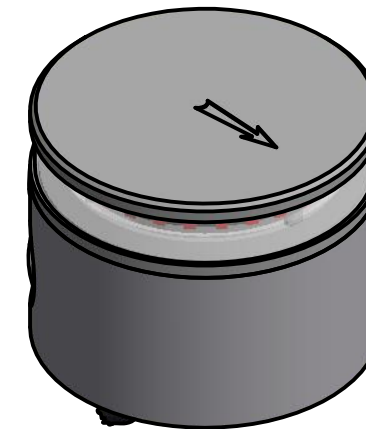
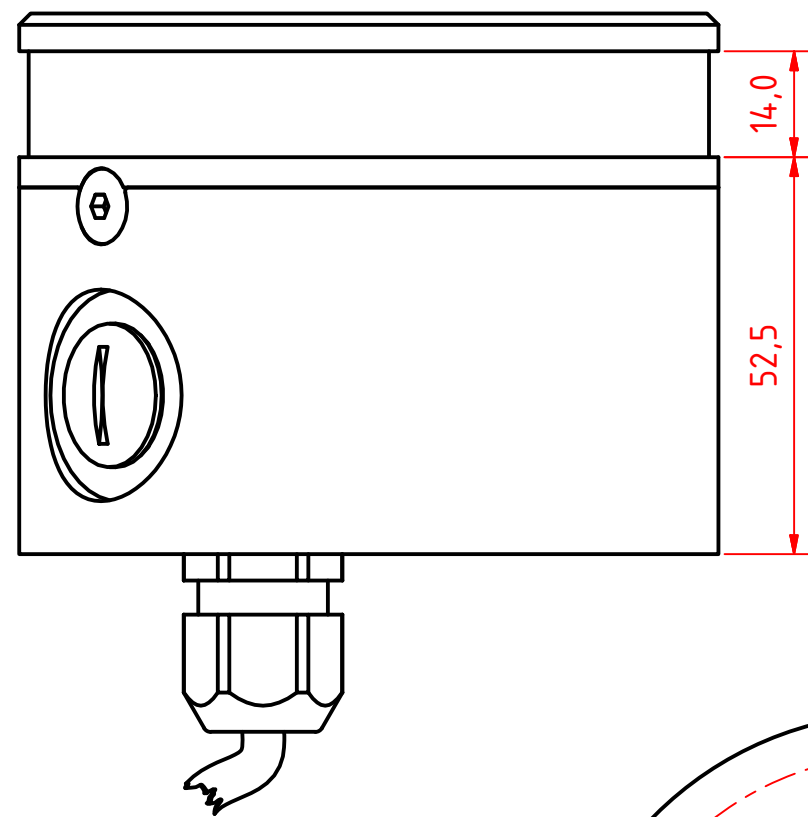
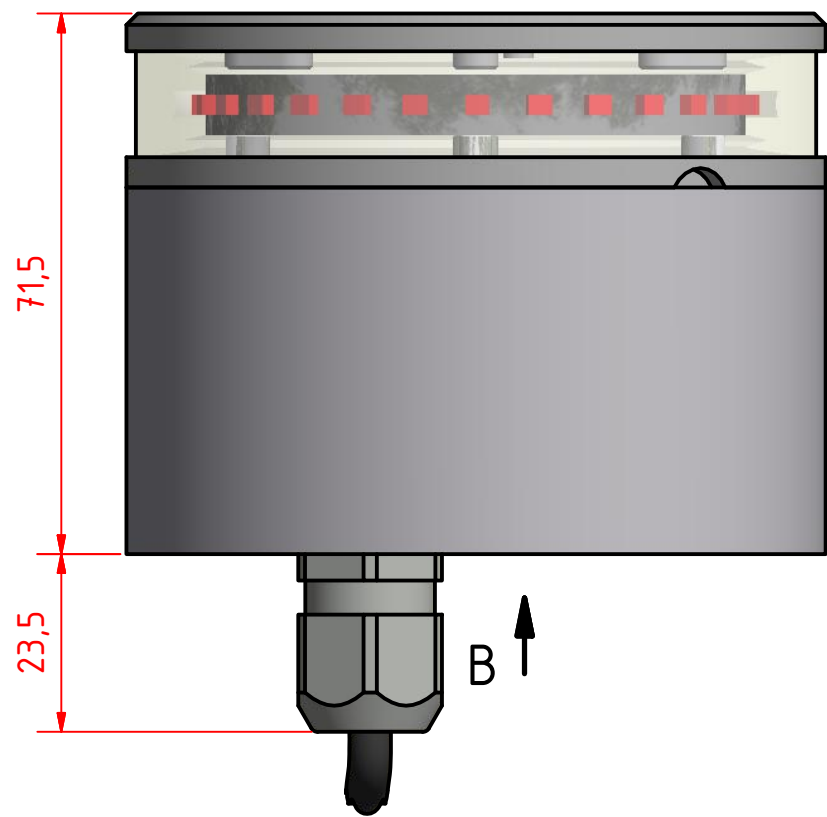
This Drawing, and the information within, is the property of Lopolight ApS and may not be used in any form without express permission therefrom. Lopolight reserves the right to change this drawing and assumes no liability for the information communicated herein. Use of dimensions and other information in this drawing is at the users own risk.



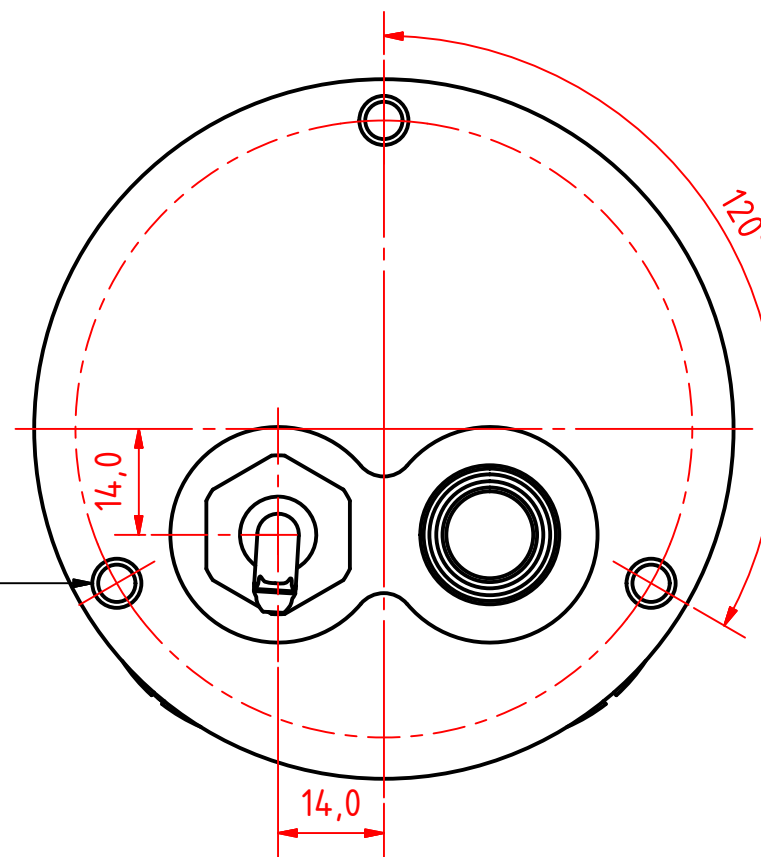
Lopolight ApS
Ved Klaedebo 12
DK-2970, Hoersholm
Denmark
www.lopolight.com

Tel:(+45) 32 48 50 30 Fax:(+45) 32 48 50 32
info@lopolight.com





Mounting Hole
M6x1 - 10,0mm DEEP



300-114 Single, 360° Red light for vessels
above 50 m, 400-034 Promount, Cable
Down.

DRAWING NO.: 300-114BG	REV. NO.: 0	SIZE: A3	DRAWN BY: Sergio
SCALE: 1:1	TOLERANCES: DS/ISO 2768-f	REVIEWED BY:	CREATION DATE: 25-01-2017

MATERIAL DESCRIPTION:
Alu EN 6082, Acrylic. (20µ) Silver anodized according to EN ISO 7599
(50µ) Black anodized according to MIL-A 8625F

This Drawing, and the information within, is the property of Lopolight ApS and may not be used in any form without express permission there from. Lopolight reserves the right to change this drawing and assumes no liability for the information communicated herein. Use of dimensions and other information in this drawing is at the users own risk.

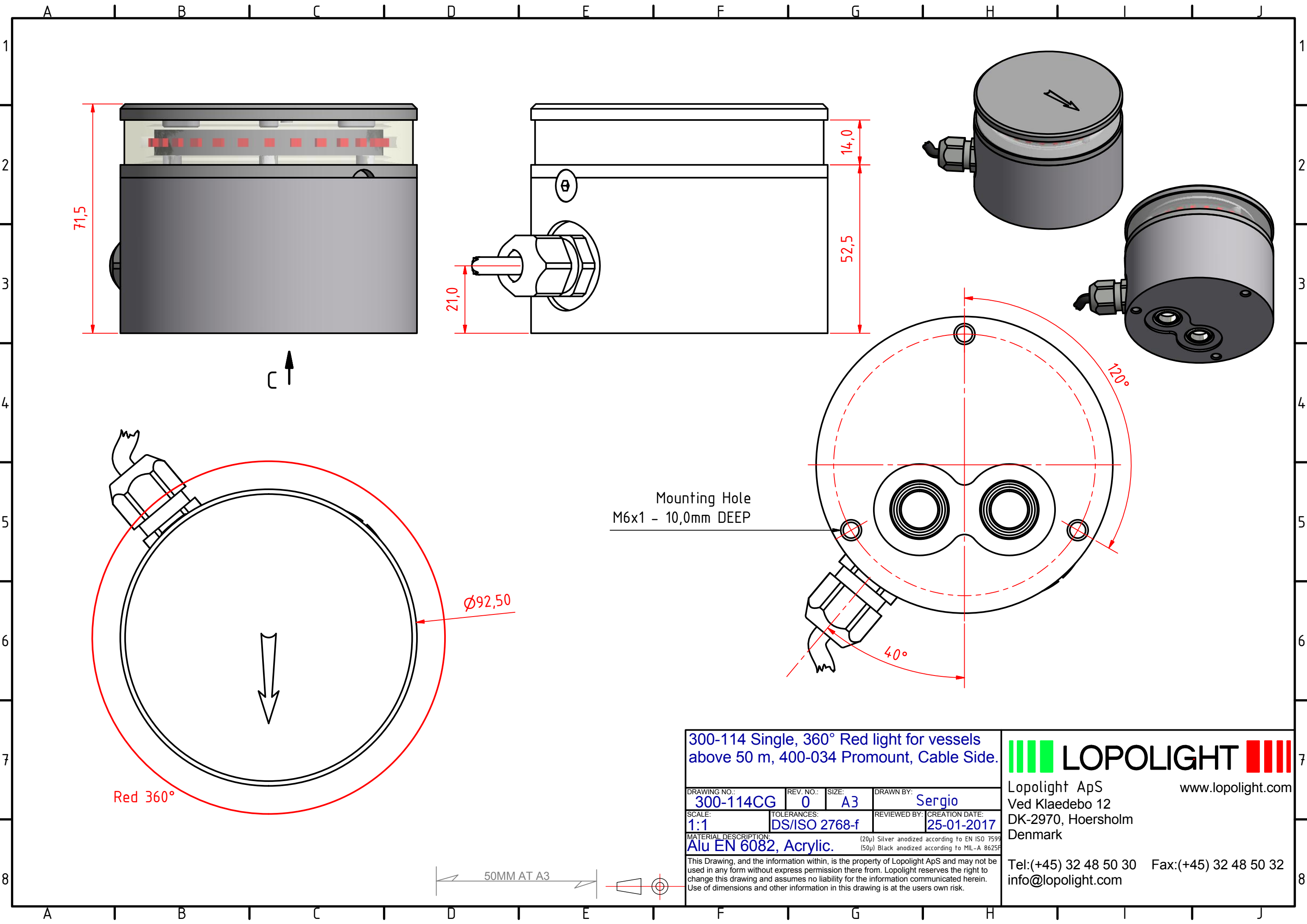


Lopolight ApS
Ved Klaedebo 12
DK-2970, Hoersholm
Denmark

www.lopolight.com

Tel:(+45) 32 48 50 30 Fax:(+45) 32 48 50 32
info@lopolight.com





Mounting Hole
M6x1 - 10,0mm DEEP

300-114 Single, 360° Red light for vessels
above 50 m, 400-034 Promount, Cable Side.

DRAWING NO.: 300-114CG	REV. NO.: 0	SIZE: A3	DRAWN BY: Sergio
SCALE: 1:1	TOLERANCES: DS/ISO 2768-f	REVIEWED BY:	CREATION DATE: 25-01-2017

MATERIAL DESCRIPTION:
Alu EN 6082, Acrylic. (20µ) Silver anodized according to EN ISO 7599
(50µ) Black anodized according to MIL-A 8625F

This Drawing, and the information within, is the property of Lopolight ApS and may not be used in any form without express permission therefrom. Lopolight reserves the right to change this drawing and assumes no liability for the information communicated herein. Use of dimensions and other information in this drawing is at the users own risk.

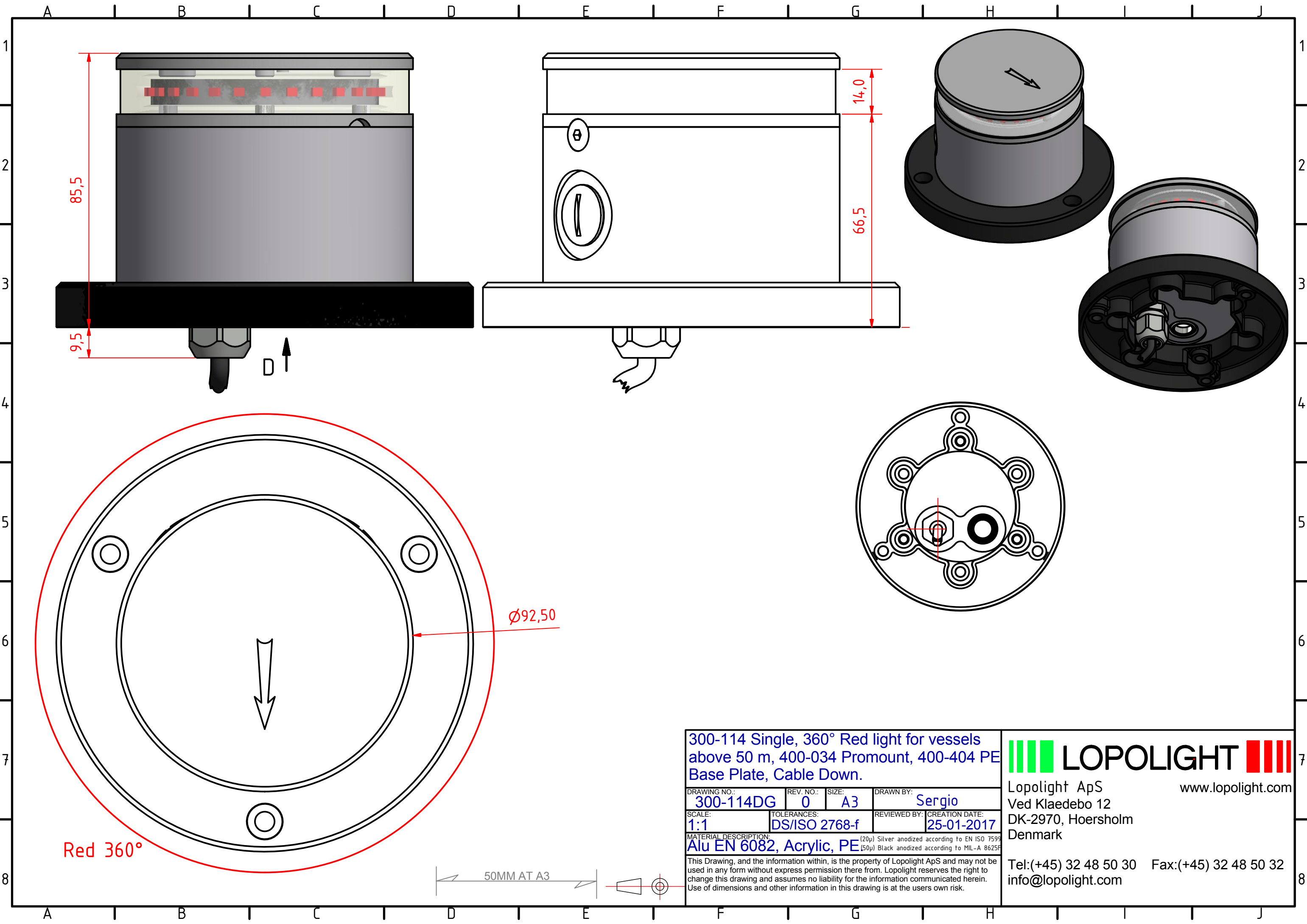


Lopolight ApS
Ved Klaedebo 12
DK-2970, Hoersholm
Denmark

www.lopolight.com

Tel:(+45) 32 48 50 30 Fax:(+45) 32 48 50 32
info@lopolight.com





300-114 Single, 360° Red light for vessels
 above 50 m, 400-034 Promount, 400-404 PE
 Base Plate, Cable Down.

DRAWING NO.: 300-114DG	REV. NO.: 0	SIZE: A3	DRAWN BY: Sergio
SCALE: 1:1	TOLERANCES: DS/ISO 2768-f	REVIEWED BY:	CREATION DATE: 25-01-2017

MATERIAL DESCRIPTION:
 Alu EN 6082, Acrylic, PE (20µ) Silver anodized according to EN ISO 7599
 (50µ) Black anodized according to MIL-A 8625F

This Drawing, and the information within, is the property of Lopolight ApS and may not be used in any form without express permission there from. Lopolight reserves the right to change this drawing and assumes no liability for the information communicated herein. Use of dimensions and other information in this drawing is at the users own risk.



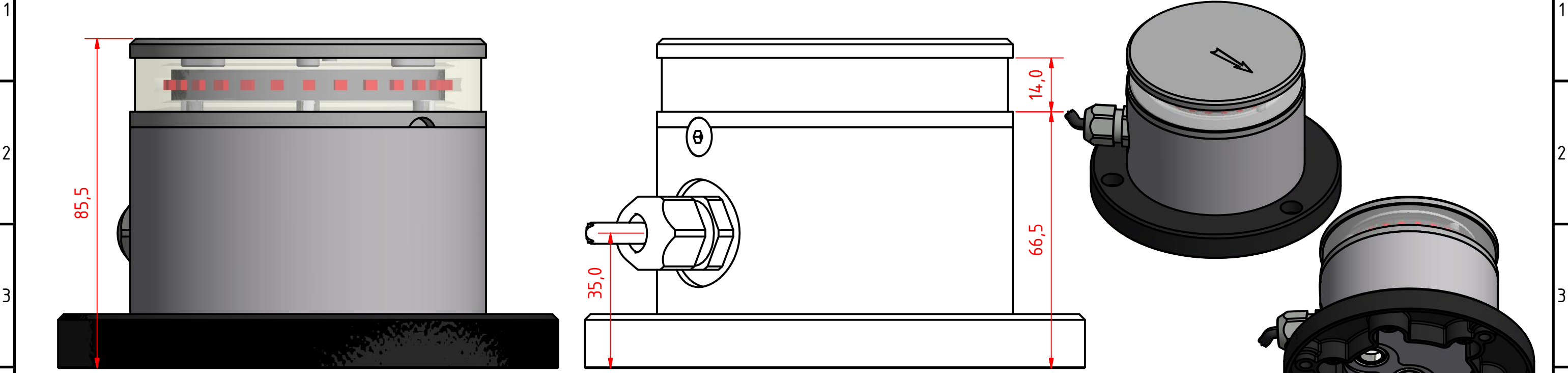
Lopolight ApS
 Ved Klaedebo 12
 DK-2970, Hoersholm
 Denmark

Tel:(+45) 32 48 50 30 Fax:(+45) 32 48 50 32
 info@lopolight.com

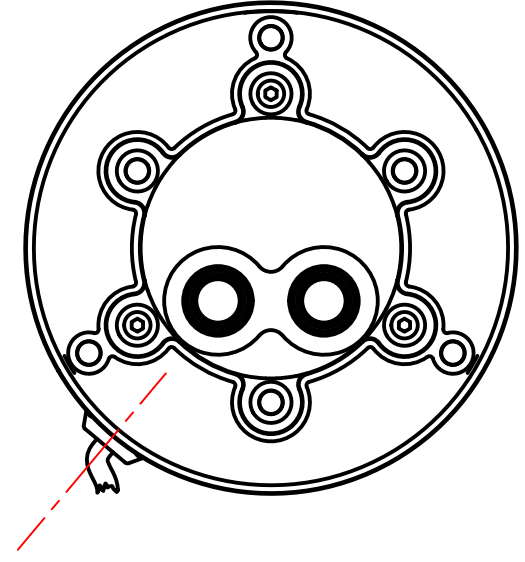
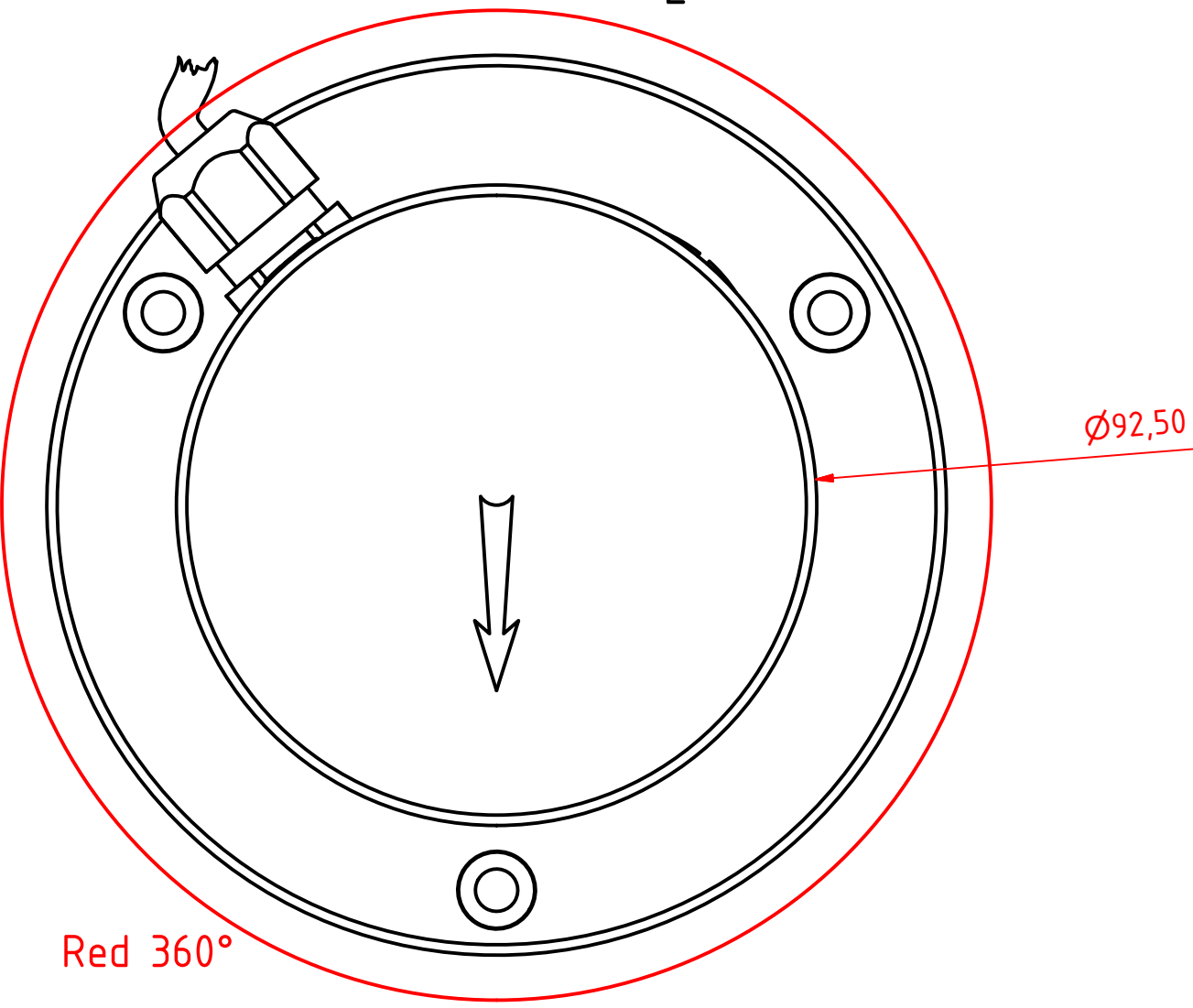
www.lopolight.com

50MM AT A3

A B C D E F G H J



E ↑



300-114 Single, 360° Red light for vessels above 50 m, 400-034 Promount, 400-404 PE Base Plate, Cable Side.

DRAWING NO.: 300-114EG	REV. NO.: 0	SIZE: A3	DRAWN BY: Sergio
SCALE: 1:1	TOLERANCES: DS/ISO 2768-f	REVIEWED BY:	CREATION DATE: 25-01-2017

MATERIAL DESCRIPTION:
Alu EN 6082, Acrylic, PE (20µ) Silver anodized according to EN ISO 7599 (50µ) Black anodized according to MIL-A 8625F

This Drawing, and the information within, is the property of Lopolight ApS and may not be used in any form without express permission there from. Lopolight reserves the right to change this drawing and assumes no liability for the information communicated herein. Use of dimensions and other information in this drawing is at the users own risk.



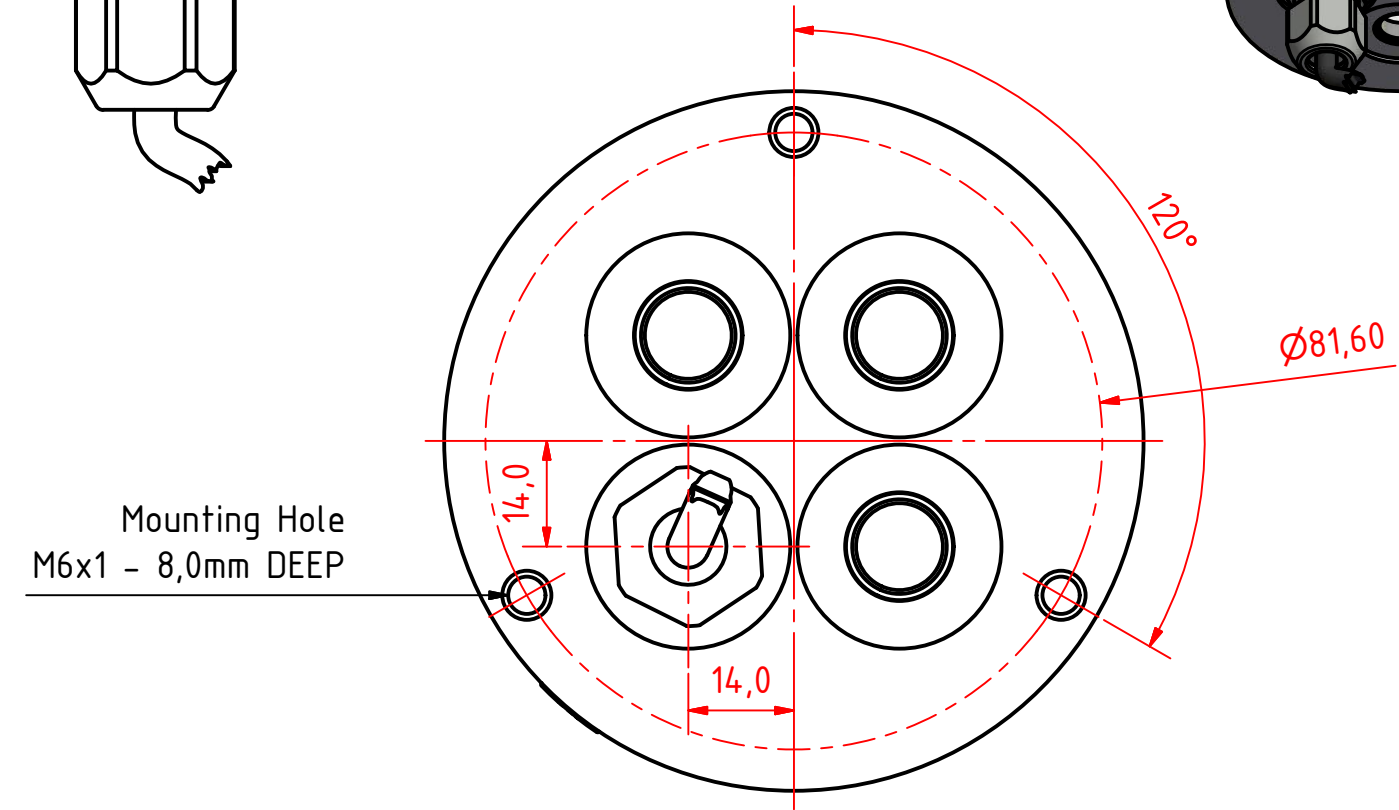
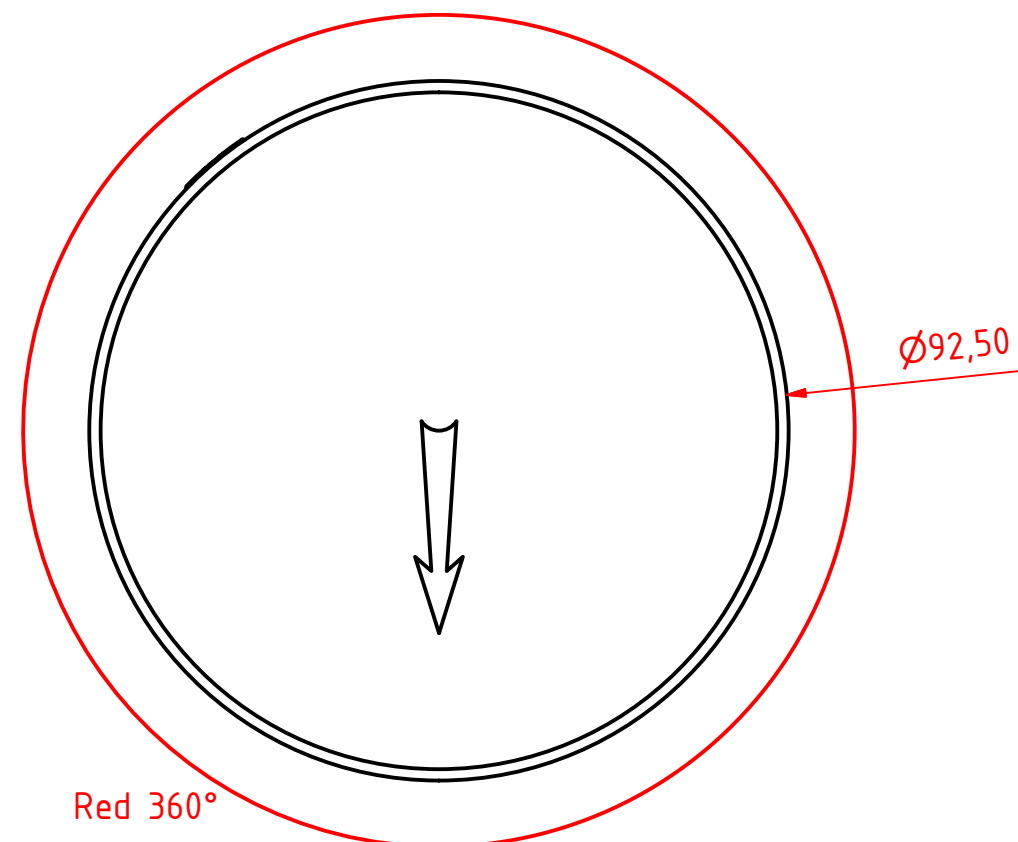
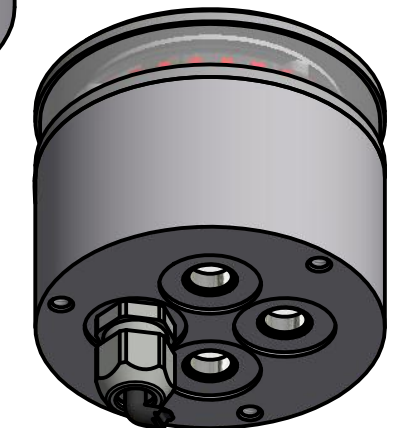
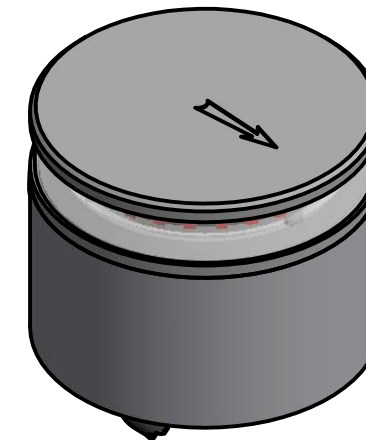
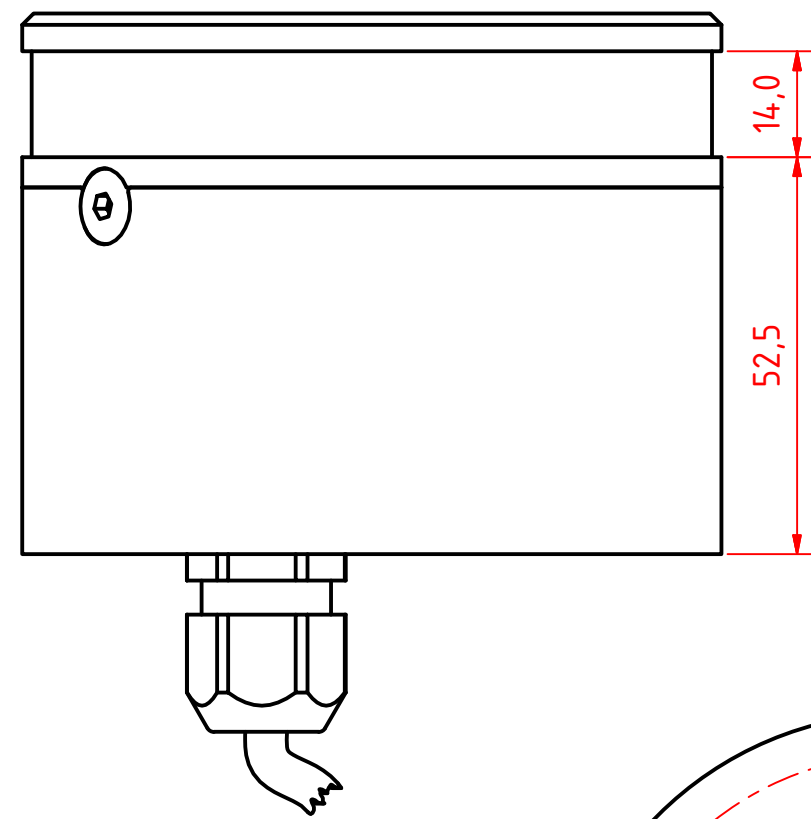
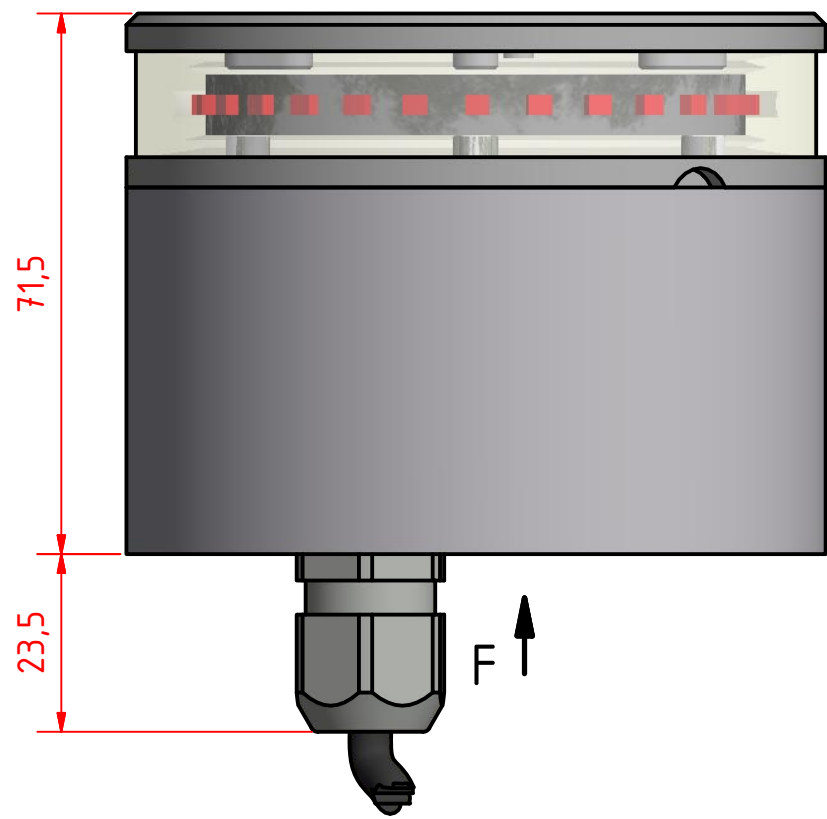
Lopolight ApS
Ved Klaedebo 12
DK-2970, Hoersholm
Denmark
www.lopolight.com

Tel:(+45) 32 48 50 30 Fax:(+45) 32 48 50 32
info@lopolight.com



8

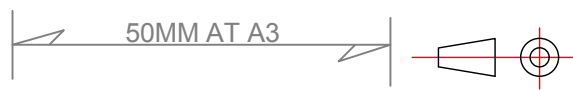
A B C D E F G H J

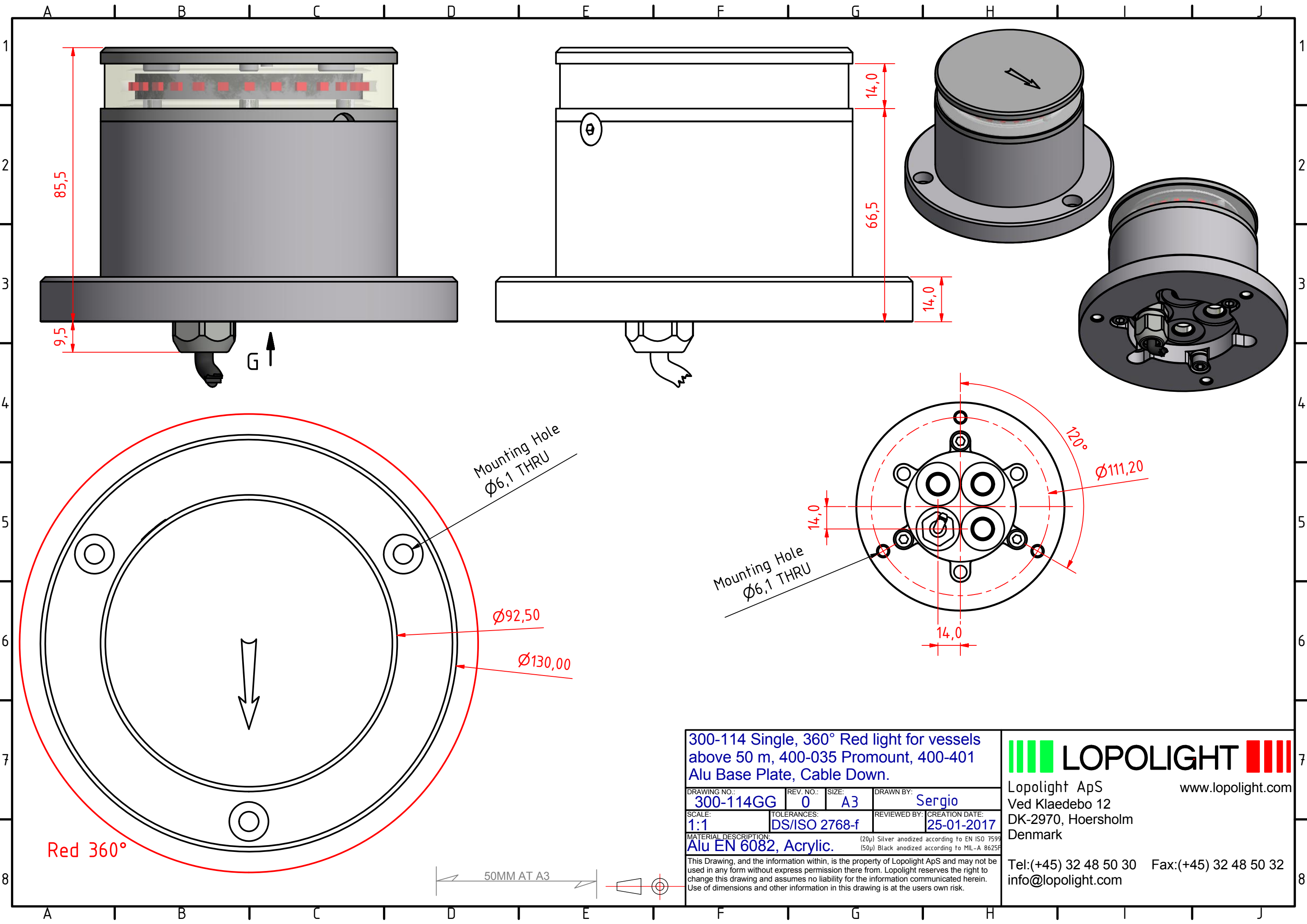


300-114 Single, 360° Red light for vessels above 50 m, 400-035 Promount, Cable Down.

DRAWING NO.: 300-114FG	REV. NO.: 0	SIZE: A3	DRAWN BY: Sergio
SCALE: 1:1	TOLERANCES: DS/ISO 2768-f	REVIEWED BY:	CREATION DATE: 25-01-2017
MATERIAL DESCRIPTION: Alu EN 6082, Acrylic. (20µ) Silver anodized according to EN ISO 7599 (50µ) Black anodized according to MIL-A 8625F			
This Drawing, and the information within, is the property of Lopolight ApS and may not be used in any form without express permission there from. Lopolight reserves the right to change this drawing and assumes no liability for the information communicated herein. Use of dimensions and other information in this drawing is at the users own risk.			

LOPOLIGHT
 Lopolight ApS
 Ved Klaedebo 12
 DK-2970, Hoersholm
 Denmark
 www.lopolight.com
 Tel:(+45) 32 48 50 30 Fax:(+45) 32 48 50 32
 info@lopolight.com





300-114 Single, 360° Red light for vessels above 50 m, 400-035 Promount, 400-401 Alu Base Plate, Cable Down.

DRAWING NO.: 300-114GG	REV. NO.: 0	SIZE: A3	DRAWN BY: Sergio
SCALE: 1:1	TOLERANCES: DS/ISO 2768-f	REVIEWED BY:	CREATION DATE: 25-01-2017

MATERIAL DESCRIPTION:
Alu EN 6082, Acrylic. (20µ) Silver anodized according to EN ISO 7599 (50µ) Black anodized according to MIL-A 8625F

This Drawing, and the information within, is the property of Lopolight ApS and may not be used in any form without express permission there from. Lopolight reserves the right to change this drawing and assumes no liability for the information communicated herein. Use of dimensions and other information in this drawing is at the users own risk.



Lopolight ApS
Ved Klaedebo 12
DK-2970, Hoersholm
Denmark

www.lopolight.com

Tel:(+45) 32 48 50 30 Fax:(+45) 32 48 50 32
info@lopolight.com

50MM AT A3

